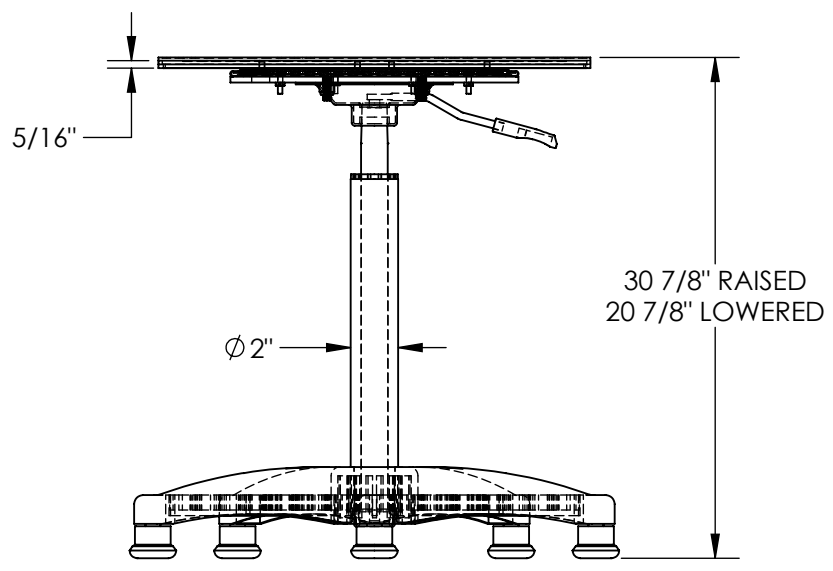
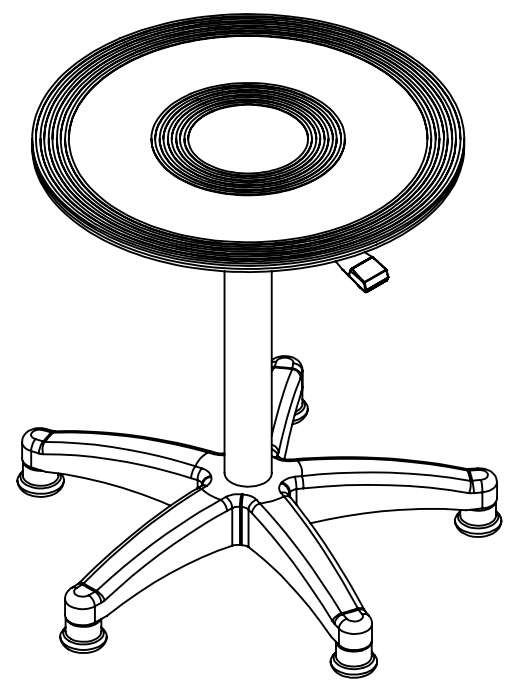
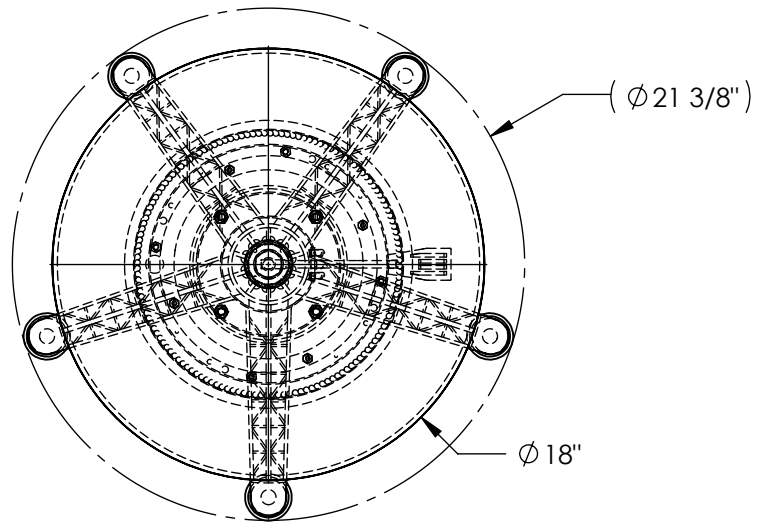


# HEAVY-DUTY MANUAL TURNTABLE - TT-18-CPED

APPROX WEIGHT: 46.12 lbs.  
 DOES NOT INCLUDE WEIGHT OF POWER OR PACKAGING!!!  
 \*\*\*ANY ADDITIONS, DELETIONS, OR OMISSIONS MUST BE CORRECTED ON THIS DRAWING AS THIS DRAWING WILL BE CONSIDERED ALL INCLUSIVE\*\*\*



ALL GRAPHICS PROVIDED ARE FOR REFERENCE ONLY. IF CERTAIN DIMENSIONS ARE CRITICAL PLEASE VERIFY THOSE DIMENSIONS WITH YOUR SALESPERSON

DIMENSIONAL TOLERANCE ± 1/4"

## STANDARD FEATURES

- MODEL NUMBER: TT-18-CPED
- CAPACITY: 300 LBS
- TURNTABLE DIAMETER: Ø18"
- RAISED HEIGHT: 30 7/8"
- LOWERED HEIGHT: 20 7/8"
- GAS CYLINDER MECHANISM HEIGHT ADJUSTMENT
- 5/16" TOP PLATE
- RUBBER COVER ON TOP PLATE

## SPECIAL FEATURES

NONE

FOR INTERNAL USE ONLY PROJECT SIGN OFF	
SALES	
ENG.	
FAB.	
POWER	

<b>A P P R O V A L</b>	I, THE UNDERSIGNED, AGREE THAT THE PRODUCT AS REPRESENTED SATISFIES DESIGN AND DIMENSION REQUIREMENTS. I ALSO ACKNOWLEDGE MY DUTY TO CONFIRM PRODUCT AND INSTALLATION COMPLIANCE WITH ALL APPLICABLE FEDERAL, STATE AND LOCAL REGULATIONS AND STANDARDS.	
	<b>ANY MODIFIED UNITS ARE NON-RETURNABLE</b>	
	[ ] As drawn      [ ] As marked	
	Signed: _____ Date: _____	
Printed Name: _____		
<b>LEAD TIME WILL START UPON RECEIPT OF SIGNED APPROVAL DRAWING</b>		

DISTRIBUTOR'S NAME:		P.O.#
<b>VESTIL MANUFACTURING</b>		X
		W.O.#
DRAWN BY: WHR	DATE: 11/23/11	X
REFERENCE: X	SCALE: 1:8	FILE NAME:
QUOTED LEAD TIME: X	QUOTE #	20-007-059
	X	